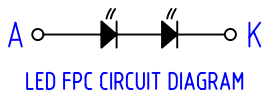
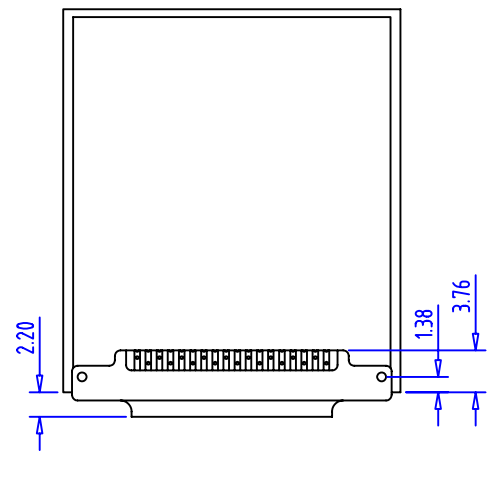
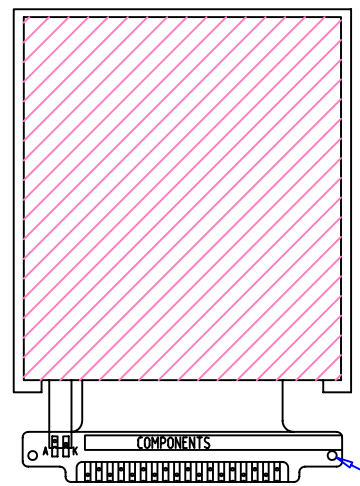
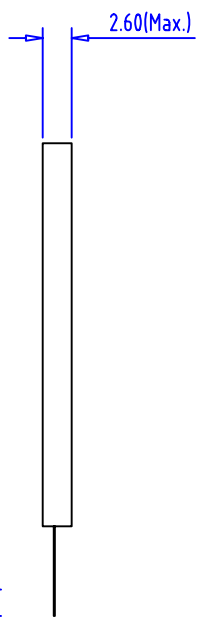
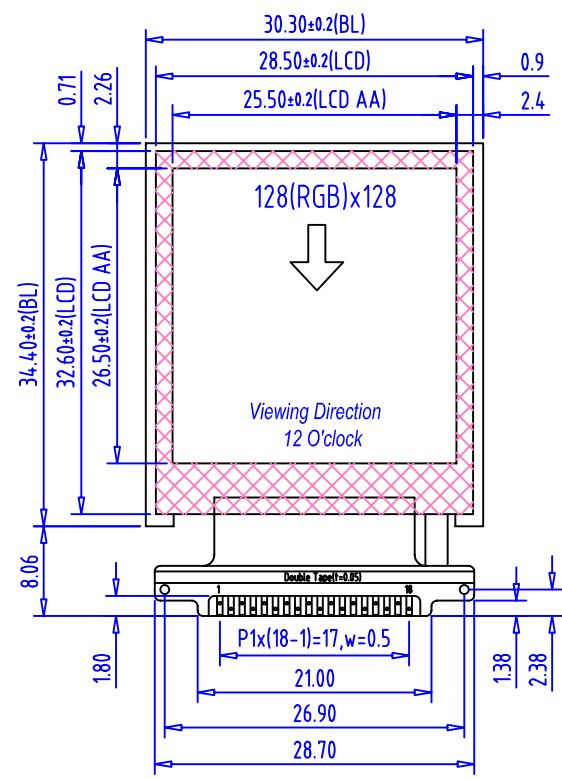


REV	DESCRIPTION	DRAWER	CHECKER	DATE

PIN	STMBOL
1	NC
2	VDD
3	VSS
4	CS
5	RS
6	RD
7	WR
8	RESET
9	DB00
10	DB01
11	DB02
12	DB03
13	DB04
14	DB05
15	DB06
16	DB07
17	LED-K
18	LED-A



- NOTES:
1. DISPLAY TYPE : 1.44" TFT, Transmissive
 2. OPERATING TEMP : -10°C-60°C
 3. STORAGE TEMP : -20°C-70°C
 4. MAIN LCD DRIVER : ST7735
 5. BACKLIGHT : 1CHIP-WHITE LED
 6. GENERAL TOLERANCE : ±0.2mm

桦睿電子股份有限公司
 ACROWISE ELECTRONICS
 TITLE: LCD PANEL UNIT: mm Product: AWT-128128T14N01
 DATE: 2009.11.07 SCALE: 1 / 1 DRW NO: 128128T14N01-01
 SHEET: 1 / 1 REV: A
 UNLESS OTHERWISE SPECIFIED TOLERANCE IS ±0.1:FRACTIONS DECIMALS ANGLES IS ±0.5°